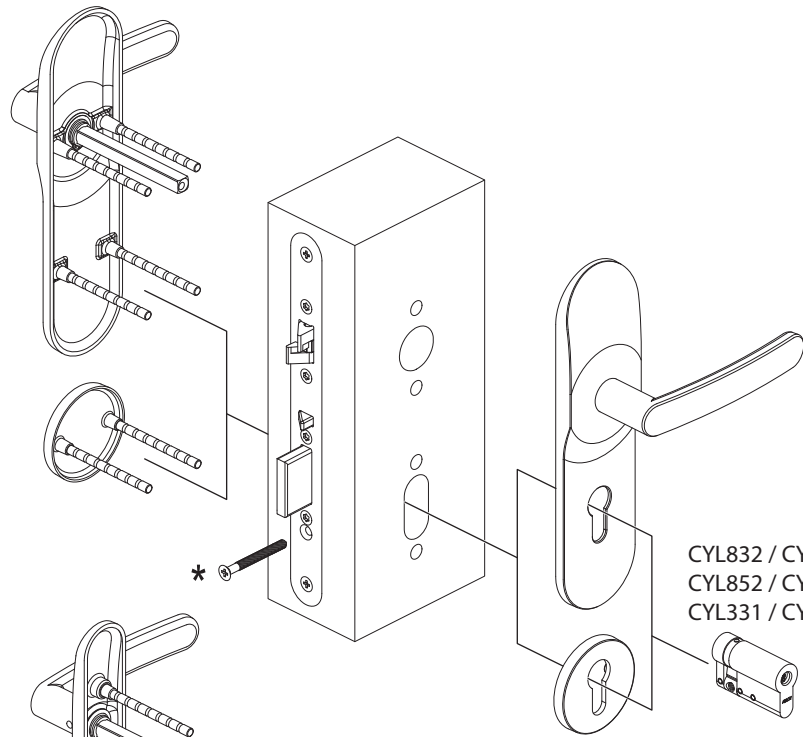
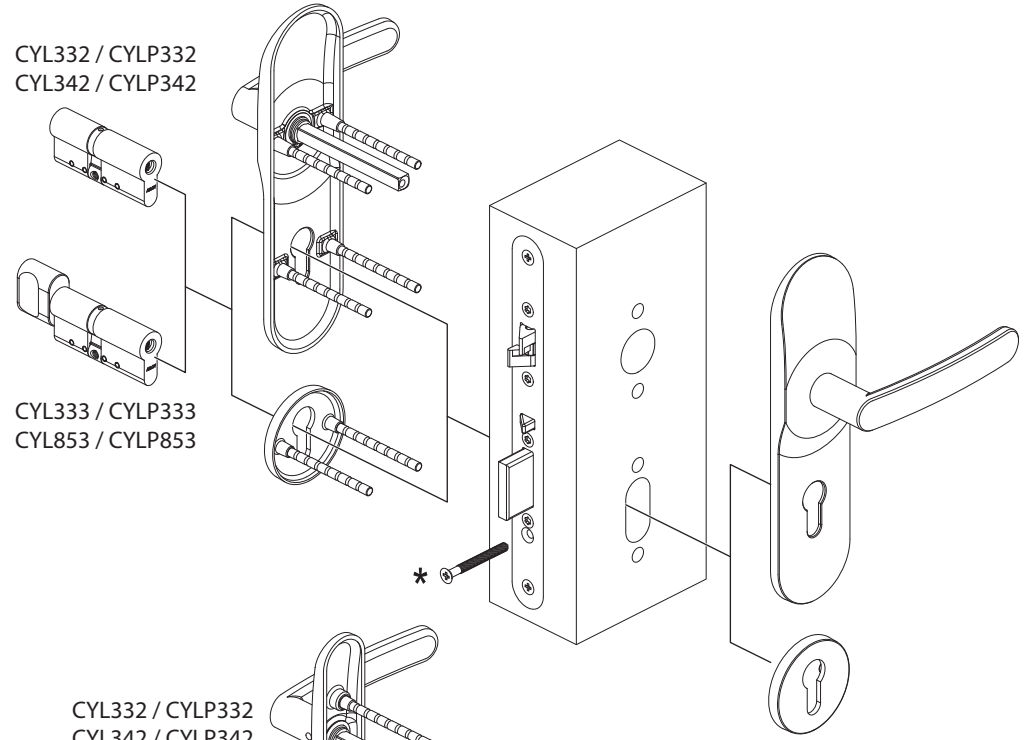


DIN INSTALLATION

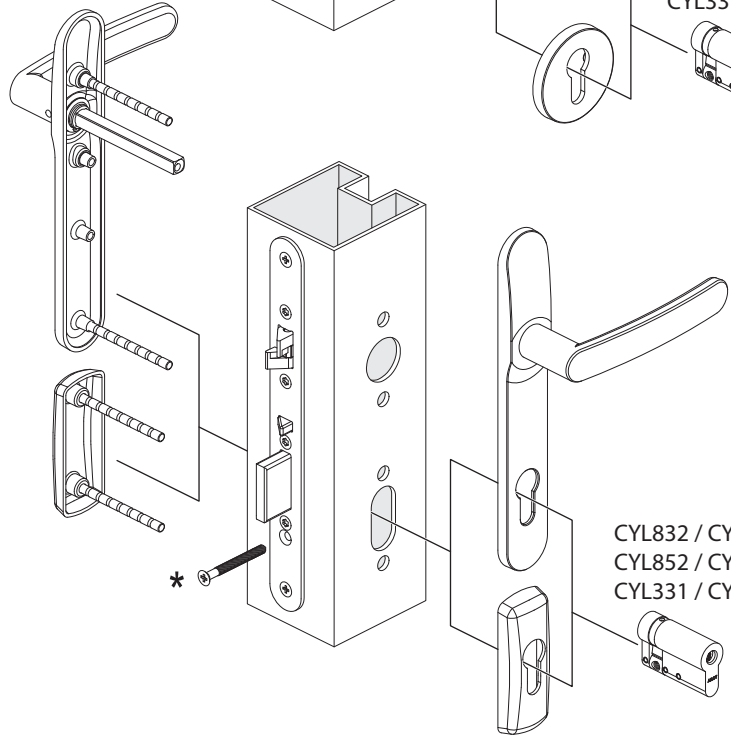


CYL832 / CYLP832
CYL852 / CYLP852
CYL331 / CYLP331

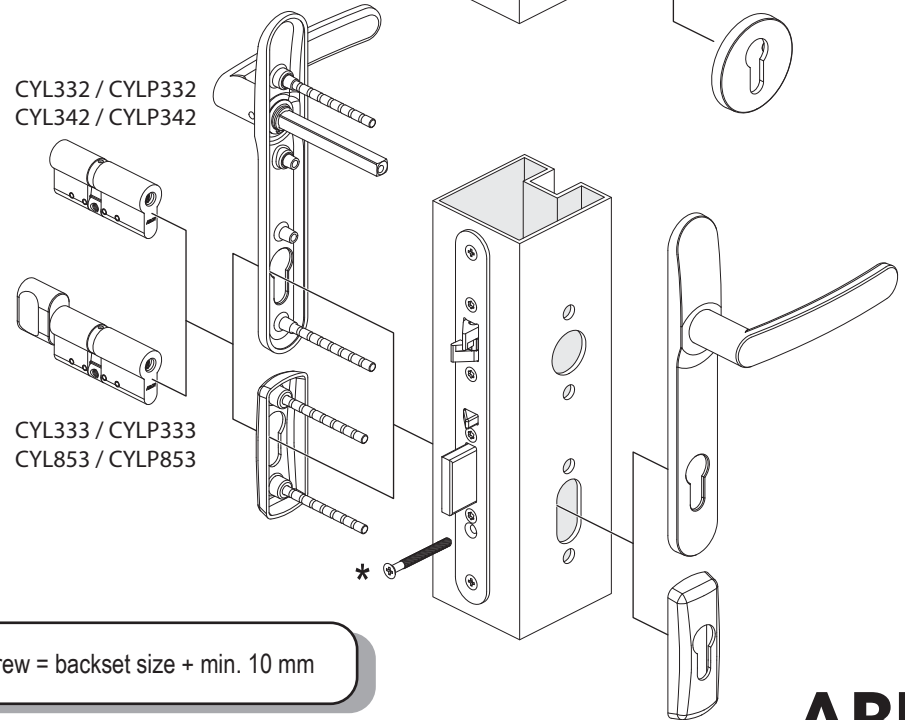


CYL332 / CYLP332
CYL342 / CYLP342

CYL333 / CYLP333
CYL853 / CYLP853



CYL832 / CYLP832
CYL852 / CYLP852
CYL331 / CYLP331

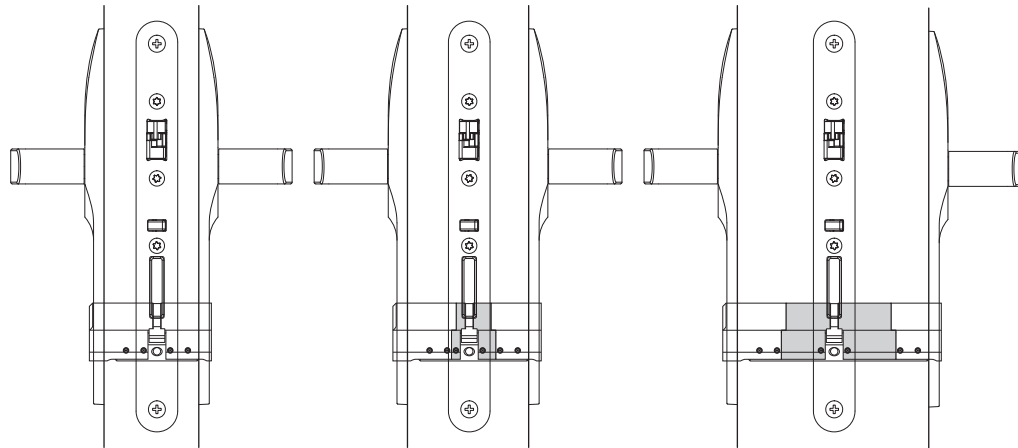
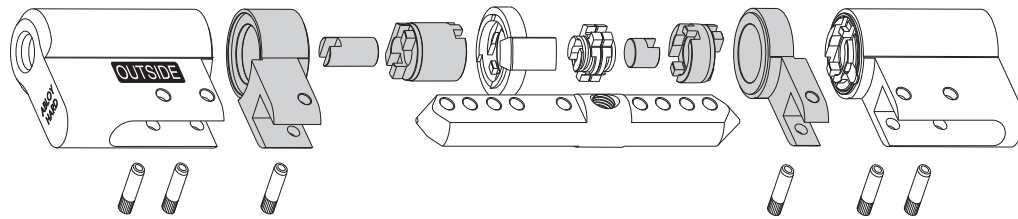
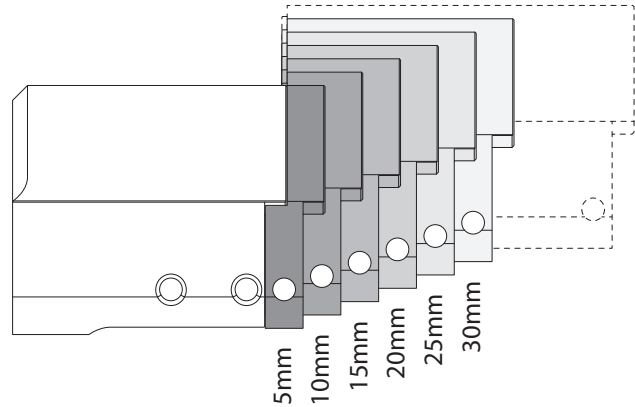


CYL332 / CYLP332
CYL342 / CYLP342

CYL333 / CYLP333
CYL853 / CYLP853

* Fixing screw = backset size + min. 10 mm

DIN EXTENSION PIECES

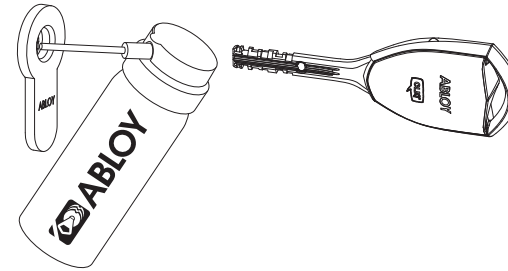


LUBRICATION INSTRUCTIONS FOR END USER

Use only Abloy lock oil or Rivolta TRS oil with cylinders.

Most of the commonly used lock oils contain harmful ingredients for cylinder units and are thus not allowed to be used.

Only the mechanical parts in rear part of the cylinder require little bit of lubricant. Electrical part in the front does not require any lubrication. Too much lubrication in electrical part may cause problems in cylinder function.



ABLOY® recommends the following lubricants:

- ABLOY® Lock Oil
- Rivolta TRS
- Mineral oils (e.g. sewing machine oil and gun oil)

Do not use oils containing graphite or biolubricants.
They will jam the cylinder and the operation of the lock.



The product should not be modified in any way except in accordance with those modifications described in the instructions.
Confirm the suitability of the product from Abloy before installing it onto a fire door.